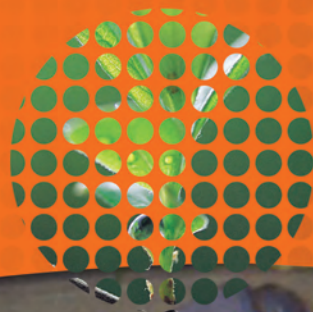


JOHN MEUNIER

SAM[®] GRIT DEWATERING SCREW



 **VEOLIA**
WATER

Solutions & Technologies

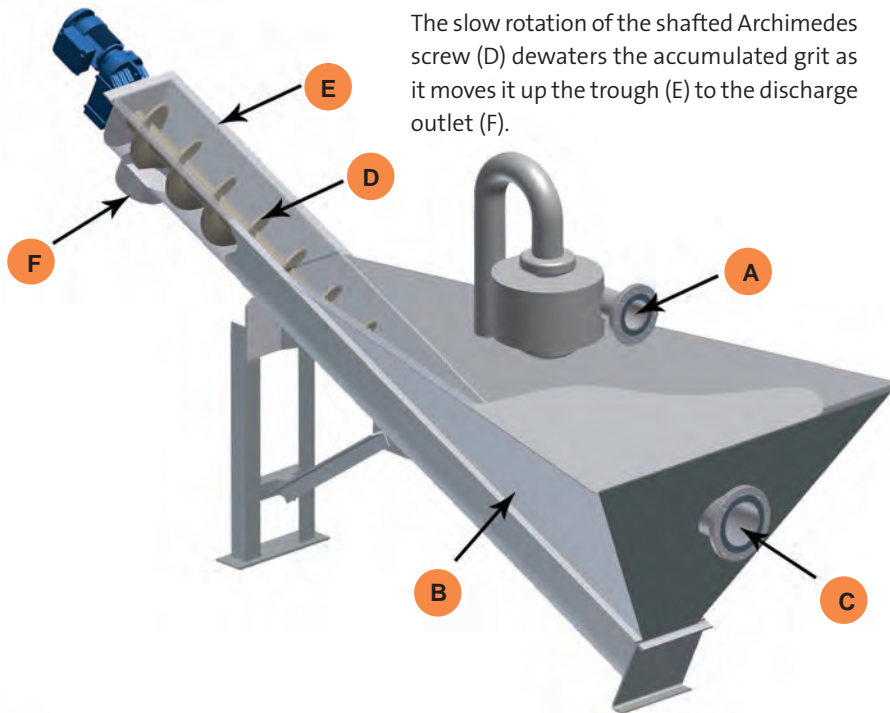
PRINCIPLE OF OPERATION

- A** Inlet
- B** Hopper
- C** Overflow
- D** Screw
- E** Screw trough
- F** Grit discharge

The SAM dewatering screw is designed to separate the grit from the grit / water mixture coming from the grit chamber.

The mixture enters the system through an air separator (A) or cyclone separator (A), and falls into the inlet hopper (B), where a constant volume of water is maintained via an overflow weir. This area acts effectively as a classifier letting the grit settle to the bottom. An overflow pipe connection (C) is provided to return the degritted water to the grit chamber influent channel.

The slow rotation of the shafted Archimedes screw (D) dewateres the accumulated grit as it moves up the trough (E) to the discharge outlet (F).



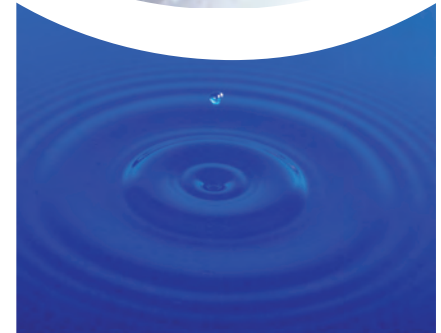
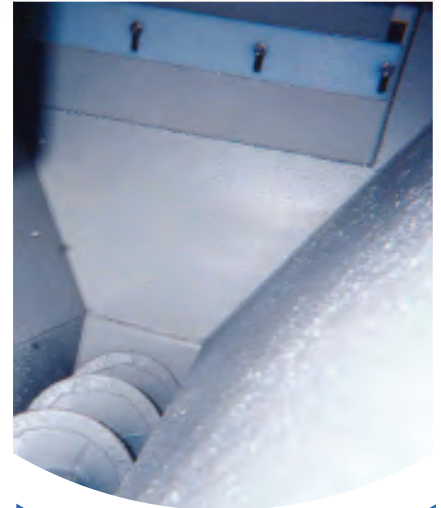
SAM[®]

When extracted from a grit chamber via pump or air lift, the grit slurry contains a high percentage of water and may include some measure of organic material. The SAM grit dewatering screw is designed to return water and organics to the process stream while delivering dry, clean grit at the discharge. Pumped applications incorporate a hydro-cyclone to reduce water content by up to 90% while also serving an organics separation role. The resulting concentrated grit slurry is then deposited into the SAM dewatering screw which further cleans the grit and reduces water content. In air lift applications, an air separation valve is used in lieu of the hydro-cyclone. The SAM grit dewatering screw produces dewatered grit containing a minimum of organic material, reducing odor and facilitating material handling. With over 200 units in service, the SAM grit dewatering screw is a proven, reliable component of John Meunier's grit removal systems.

Model	Dimensions		H.P	Capacity		Shipping Weight	
	GDS	Screw Length		Screw Diameter	Feed		Discharge
09-10-25		120" 3048 mm	9" 229 mm	1	165 gpm 37 m ³ /h	60 ft ³ /h 1.7 m ³ /h	2100 lb 950 Kg
09-16-25		192" 4877 mm	9" 229 mm	1.5	165 gpm 37 m ³ /h	60 ft ³ /h 1.7 m ³ /h	2600 lb 1180 Kg
14-12-25		144" 3658 mm	14" 356 mm	2	240 gpm 55 m ³ /h	120 ft ³ /h 3.4 m ³ /h	3200 lb 1450 Kg
14-18-25		216" 5486 mm	14" 356 mm	3	240 gpm 55 m ³ /h	120 ft ³ /h 3.4 m ³ /h	3800 lb 1720 Kg

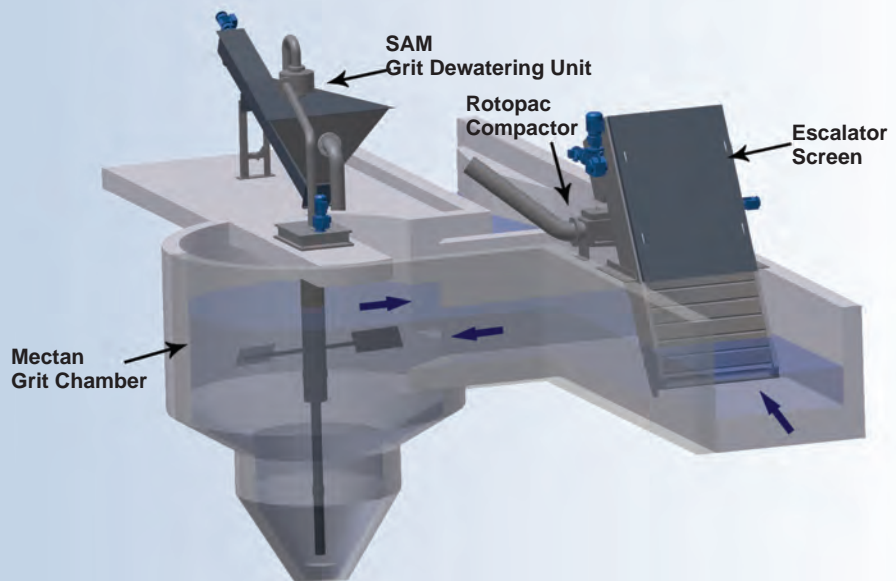
FEATURES OF THE SAM[®]

- Totally pre-assembled and tested.
- Very simple and robust design.
- Provides grit with very little free water.
- Uses Archimedes screw with shaft.
- Minimum operating and maintenance costs.
- No screw to trough contact eliminates need for liner.
- Available in epoxy painted carbon steel and stainless steel construction.
- Completely enclosed system controls odor.
- Supplied with air separator or cyclone separator.
- Unique trough design promotes high level dewatering.
- John Meunier's superior application engineering, support and service.



YOUR PRETREATMENT SPECIALIST

John Meunier offers a complete line of headworks solutions





John Meunier Inc. has been serving North-American municipalities and industries since 1948 by offering them complete water and wastewater treatment solutions. With our state-of-the-art technologies, efficient products and team of seasoned professionals, we design solutions to perfectly match the needs of our clients.

John Meunier Inc. is a subsidiary of Veolia Water Solutions & Technologies, the Veolia Water division which designs and manufactures technological solutions for water and wastewater treatment. Veolia Water is the world leader in water services, serving over 110 million people worldwide with close to 68,000 employees.

www.veoliawaterst.com

John Meunier Inc.
ISO 9001: 2000

Head Office
4105, rue Sartelon
Saint-Laurent, QC, Canada
H4S 2B3
T 514-334-7230 • F 514-334-5070

Ontario Office
2000 Argentia Road, Plaza IV, Suite 430
Mississauga, ON, Canada
L5N 1W1
T 905-286-4846 • F 905-286-0488

USA Office
2209 Menlo Ave
Glenside, PA, USA
19038
T 215-885-4740 • F 215-885-4741

sales@johnmeunier.com
www.johnmeunier.com