

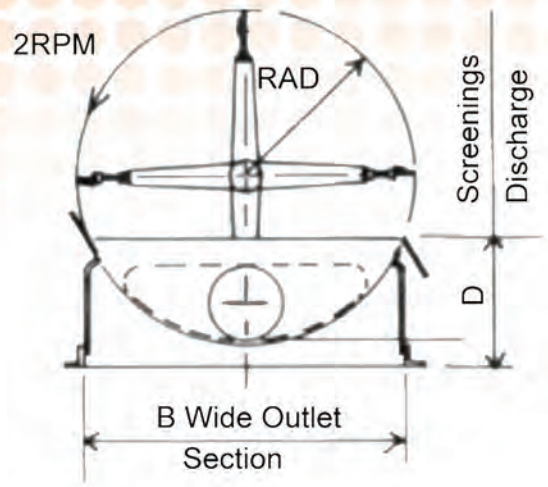
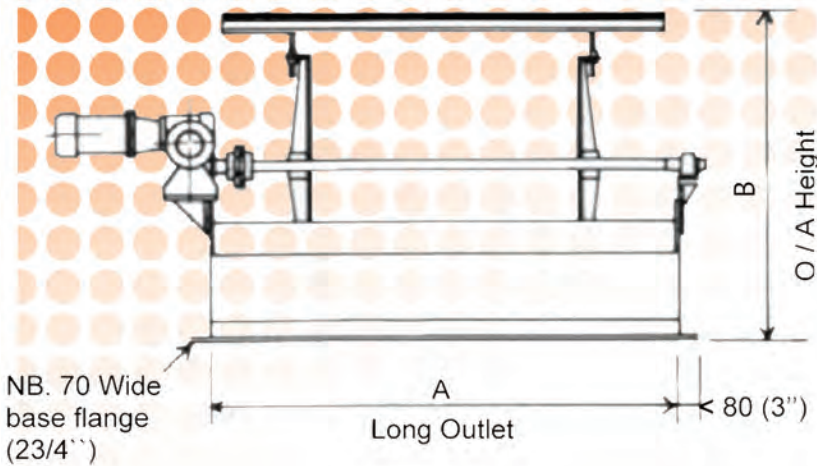
JOHN MEUNIER

ROTARC[®]

ARC BAR SCREENS &
BRUSH FINE SCREENS

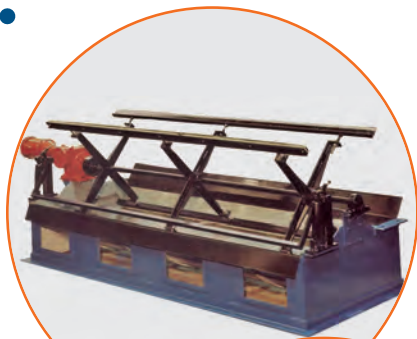


Solutions & Technologies



FEATURES OF THE ROTARC® BRUSH FINE SCREENS

- Performing 1/16", 1/8", 1/4" (1,5mm, 3mm, 6mm)
- Low running and maintenance cost.
- Simple to install.
- It can be enclosed for odor control.
- Shop tested
- Available in hot dip galvanized or epoxy painted or stainless steel construction.

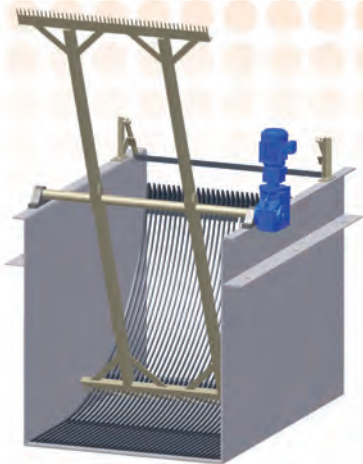


ROTARC® BRUSH FINE SCREEN

The Rotarc Brush Fine Screen removes debris from the incoming fluid by means of a perforated plate. The perforated stainless steel screen is formed into an arc and mounted on a self standing fabricated box with open top and bottom. The perforate screen is cleaned by rotating brushes driven by a stationary motor-reducer through a shaft, carried by pillow block bearings mounted on the frame. Continuously or at preset intervals, the brushes sweep the screen to remove the solids and carry them up to the point of discharge and onto an optional collecting system. The polyethylene scraper pushes the collected screenings from the brushes over the chute point.

Rotarc Screens type D

Type	D4	D8	D12	D16	D20	D24	D30	D45	D60	D75	D90
WT:	565	730	840	950	1000	1215	2690	3210	3640	4475	5600
Dim											
A	430	810	1,195	1,575	1950	2,330	1,575	2,340	3,100	3,860	4,620
	17	32	47	62	77	92	62	92	122	152	182
B	1,015	1,015	1,015	1,015	1,015	1,015	1,880	1,880	1,880	1,880	1,880
	40	40	40	40	40	40	74	74	74	74	74
C	570	570	570	570	570	570	1,015	1,015	1,015	1,015	1005
	23	23	23	23	23	23	40	40	40	40	40
D	1,175	1,175	1,175	1,175	1,175	1,175	2,060	2,060	2,060	2,060	2,060
	47	47	47	47	47	47	81	81	81	81	81
Capacity	3.61 l/sec	8 l/sec	12.3 l/sec	16.4 l/sec	20 l/sec	24.7 l/sec	31 l/sec	47 l/sec	62 l/sec	78 l/sec	95 l/sec
	60 g/m	120 g/m	192 g/m	258 g/m	320 g/m	390 g/m	492 g/m	744 g/m	984 g/m	1,236 g/m	1,500 g/m

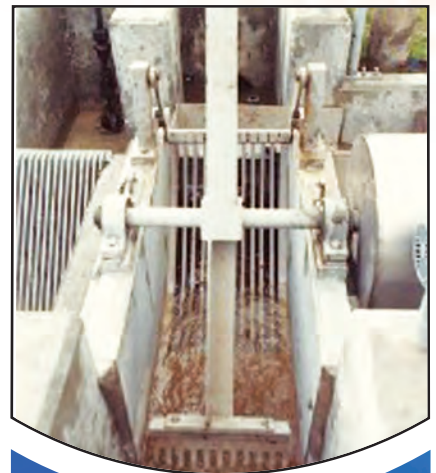
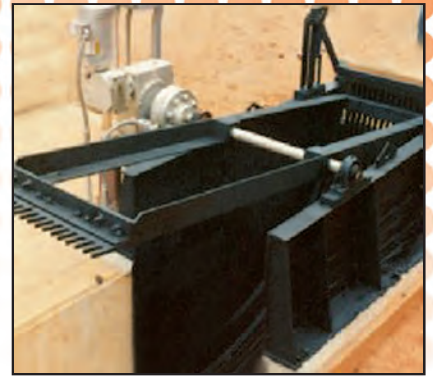


ROTARC® ARC BAR SCREEN

The Rotarc Arc Bar Screen removes debris from the incoming fluid by means of a bar rack. The bar rack is formed into an arc and mounted on a self standing support frame. The screen is cleaned by rotating rakes driven by a stationary motor-reducer through a shaft, carried by pillow block bearings mounted on the frame. Each rake engages the screen from the front and extends behind the screen bars to minimize wedging of solids between bars. Each rake provides 6" (150 mm) shelf capacity to carry the screenings up to the point of discharge and onto an optional collecting system. The polyethylene rake scraper pushes the collected screenings from the rake over the chute point.

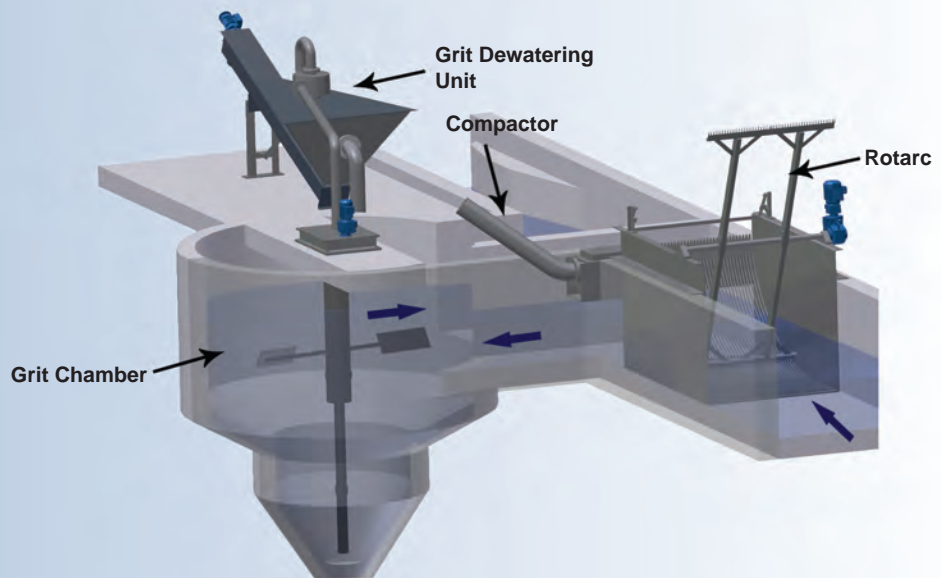
FEATURES OF THE ROTARC® ARC BAR SCREENS

- Designed specifically for shallow channels and small sewage treatment plants.
- Bar spacing available from ¼" (6mm).
- Channels up to 6' (1,8m) wide and 4' (1,2m) deep.
- Heavy duty design.
- Shop tested.
- No field assembly required.
- No civil alteration needed when installed in existing channel.
- Low power requirements.
- Low operation and maintenance costs.
- Available in hot dip galvanized or epoxy painted or stainless steel construction.



YOUR PRETREATMENT SPECIALIST

John Meunier offers a complete line of headworks solutions





John Meunier Inc. has been serving North-American municipalities and industries since 1948 by offering them complete water and wastewater treatment solutions. With our state-of-the-art technologies, efficient products and team of seasoned professionals, we design solutions to perfectly match the needs of our clients.

John Meunier Inc. is a subsidiary of Veolia Water Solutions & Technologies, the Veolia Water division which designs and manufactures technological solutions for water and wastewater treatment. Veolia Water is the world leader in water services, serving over 110 million people worldwide with close to 68,000 employees.

www.veoliawaterst.com

John Meunier Inc.
ISO 9001: 2000

Head Office
4105, rue Sartelon
Saint-Laurent, QC, Canada
H4S 2B3
T 514-334-7230 • F 514-334-5070

Ontario Office
2000 Argenta Road, Plaza IV, Suite 430
Mississauga, ON, Canada
L5N 1W1
T 905-286-4846 • F 905-286-0488

USA Office
2209 Menlo Ave
Glenside, PA, USA
19038
T 215-885-4740 • F 215-885-4741

sales@johnmeunier.com
www.johnmeunier.com