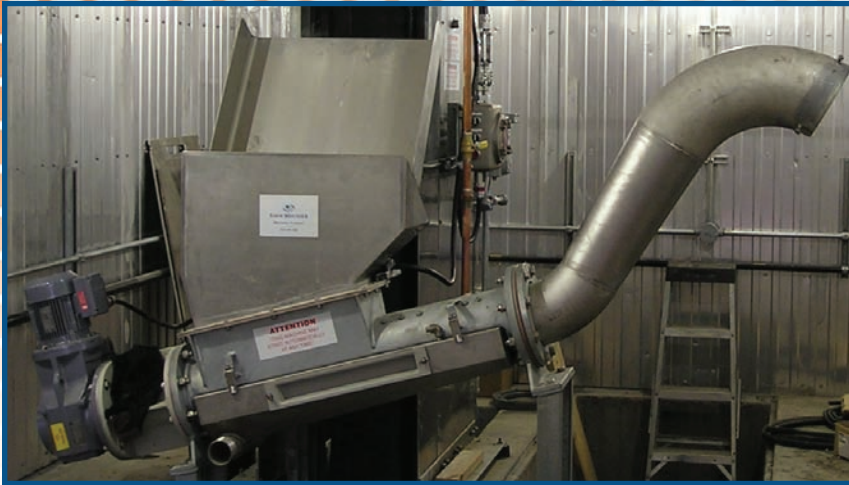


JOHN MEUNIER

ROTOPAC[®]
TYPE RPW
SCREW WASHER COMPACTOR



Solutions & Technologies

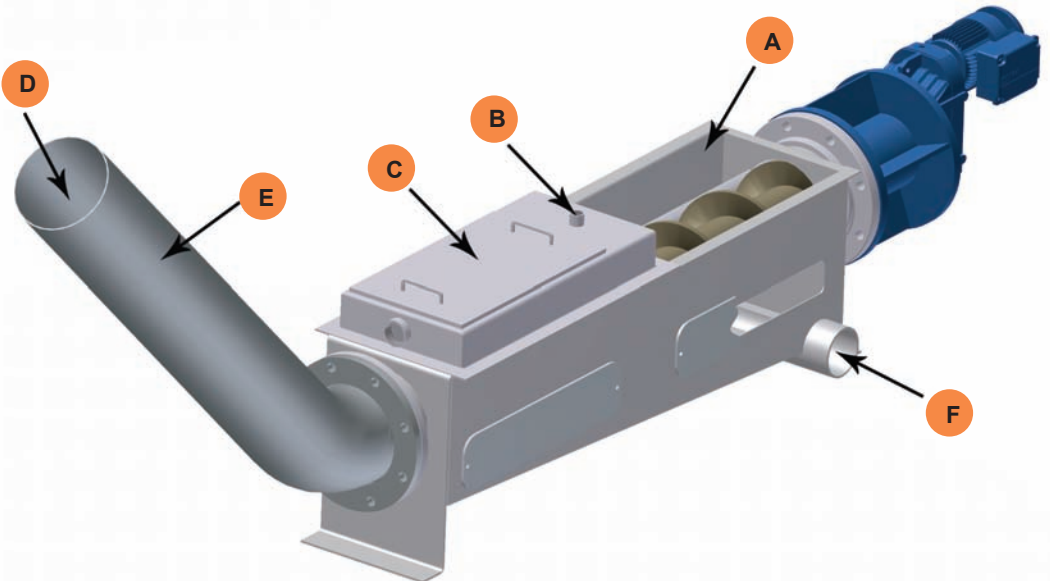


ROTOPAC® RPW

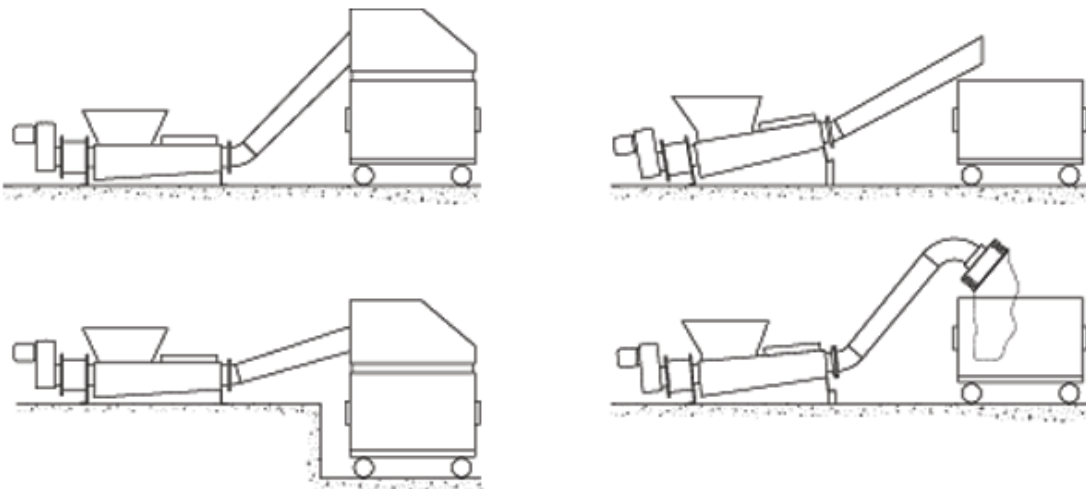
The Rotopac is a simple device for dewatering, washing and compacting. The washing stage promotes return of organic material to process flow. Savings on handling and transport of screenings pay back the capital investment in a short period of time. The Rotopac eliminates problems associated with foul odor and unsanitary handling. With over 150 installations in North America, the Rotopac Screw Washer Compactor is a proven, reliable component of John Meunier's pretreatment products.

PRINCIPLE OF OPERATION

The screenings are introduced into the Rotopac feed hopper (A). A signal starts and stops the compacting screw. The screenings are then washed (B) and dewatered (C) by pressing action. The dewatered screenings are discharged (D) into a collecting bin by way of the discharge duct (E). The pressed-out water is returned to the wastewater channel through a specially constructed drain (F). For sanitary and odor control purposes, the compactor can be fitted with a screenings bagging unit.

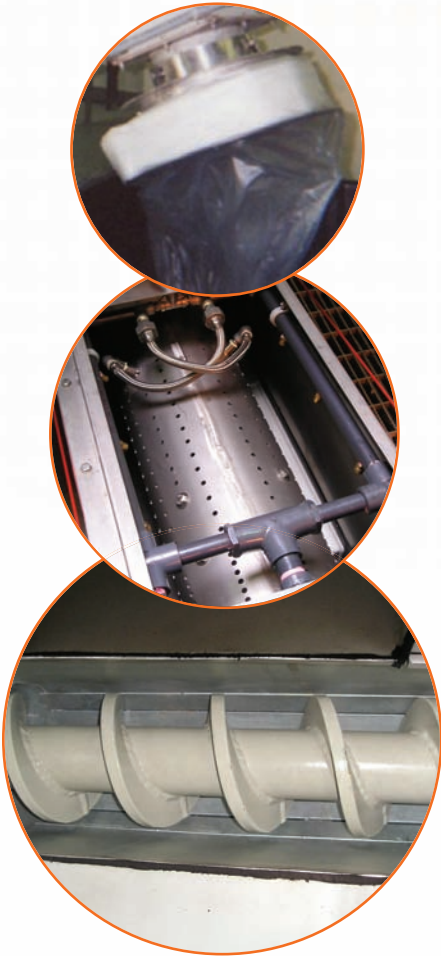


TYPICAL EQUIPMENT ARRANGEMENT



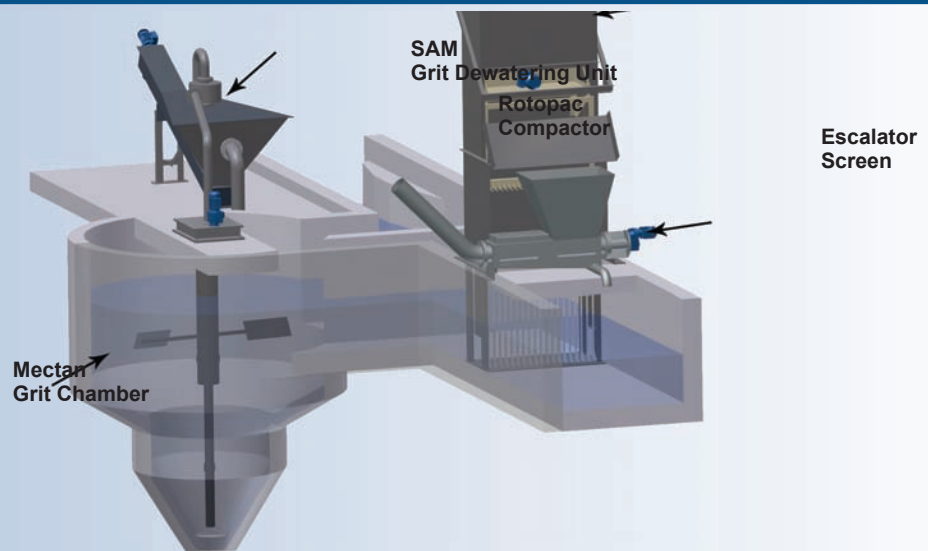
FEATURES OF THE ROTOPAC® RPW

- Low investment cost.
- Minimizes handling and disposal cost.
- Can be adapted to any type of screen.
- Screenings volume reduced up to 70%.
- Dewatered screenings may attain up to 60% dryness.
- Dewatered screenings suited for incineration.
- Completely enclosed system.
- Maximizes odor control.
- Hygienic protection of operating personnel.
- Simple, compact, fully tested and proven.
- John Meunier's superior application engineering, support and service.



YOUR PRETREATMENT SPECIALIST

John Meunier offers a complete line of headworks solutions





John Meunier Inc. has been serving North-American municipalities and industries since 1948 by offering them complete water and wastewater treatment solutions. With our state-of-the-art technologies, efficient products and team of seasoned professionals, we design solutions to perfectly match the needs of our clients.

John Meunier Inc. is a subsidiary of Veolia Water Solutions & Technologies, the Veolia Water division which designs and manufactures technological solutions for water and wastewater treatment. Veolia Water is the world leader in water services, serving over 110 million people worldwide with close to 68,000 employees.

www.veoliawaterst.com

John Meunier Inc.

ISO 9001: 2008

Head Office

4105, rue Sartelon
Saint-Laurent, QC, Canada
H4S 2B3
T 514-334-7230 • F 514-334-5070

Ontario Office

2000 Argenta Road, Plaza IV, Suite 430
Mississauga, ON, Canada
L5N 1W1
T 905-286-4846 • F 905-286-0488

USA Office

2209 Menlo Ave
Glenside, PA, USA
19038
T 215-885-4740 • F 215-885-4741

sales@johnmeunier.com
www.johnmeunier.com